

*“Warm in the winter, cool
in the summer, and safe
all year long”*

Weatherization services are delivered to:

- Single-family homes
- Multi-family dwellings
- Mobile homes
- Condos (individually owned)

Multifamily homes and condos cannot exceed 4 connected units and/or 5 buildings total on property with only one owner.

Rentals are eligible for services:

Those renting property can also apply but must have written permission from the landlord before any weatherization services can be rendered.

Landlords may be required to make a small contribution toward work to be completed.

Landlord contribution is waived if the landlord qualifies for weatherization based on his/her income.

“Thank you for the gift of weatherization. It is making a huge difference in keeping us warm! Bless you all & your team for all you do!”

Mr. & Mrs. Weldon

HOW TO APPLY FOR SERVICES:

Both homeowners and renters can receive Weatherization Services.

We can help renters obtain permission from their landlords for these home improvements.

For an appointment to complete an application over the phone contact:

Blue Ridge Community Action, Inc.
800 N. Green St.
Morganton, NC 28655
828-438-6255

OR



or apply online at:

TARA VANNOY
Housing Specialist

Mailing Address: 800 N. Green St., Morganton, NC 28655
Office: 828.438.6255 ext. 1-531
Direct Cell: 828.493.4507
Fax: 828.433.5721
Email: tvannoy@brcainc.org



Helping People, Changing Lives

Weatherization Assistance Program

**Makes Homes Energy Efficient for
Low-Income Households**

SERVICES MAY INCLUDE

**EVALUATING, SERVICING, REPAIRING
HEATING & COOLING SYSTEMS**

AIR SEALING THROUGHOUT HOME

INSTALLATION OF INSULATION

ADDRESSING SAFETY CONDITIONS

ABSOLUTELY FREE
(FOR INCOME ELIGIBLE APPLICANTS)

Counties Served:

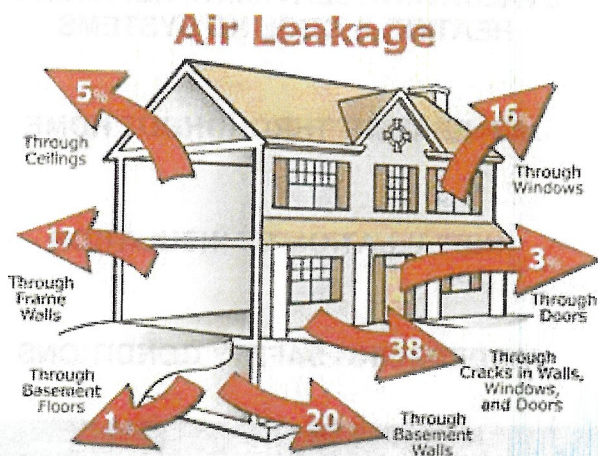
**Alexander, Burke, Caldwell, Catawba,
Gaston, Mecklenburg, Stanly, and Union**

Save Money by Reducing Energy Bills

The services of the Weatherization Assistance Program helps to reduce your energy costs by improving the energy efficiency of your home. In fact, these services reduce the average annual energy costs by \$300 per home.

Through the Weatherization Assistance Program, trained technicians evaluate the needs of each home by conducting an energy audit. They suggest the energy efficiency methods that are the most appropriate and cost-effective for your home, making it warm in the winter, cool in the summer and safe all year long.

Effective comprehensive testing of the home >>>



THE ENERGY EFFICIENCY MEASURES INSTALLED AND THE IMPROVEMENTS MADE IN HEATING OR COOLING EQUIPMENT WILL PROVIDE SAVINGS IN ENERGY COSTS FOR 15 TO 20 YEARS.

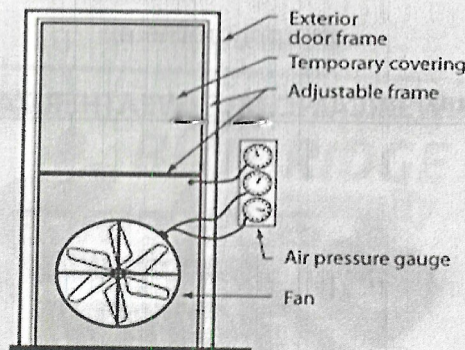
Typical Weatherization Services

When the energy audit is complete, a technician will meet with your family to explain how the work will be done. The technician will also inform you of ways you can conserve energy. Typical services include:

- *Performing tune-ups and repairs to heating and cooling systems*
- *Improving health and safety conditions by addressing carbon monoxide levels and combustion safety*
- *Sealing major air leaks*
- *Installing insulation in attics, walls, and floors*
- *Sealing and insulating ducts*
- *Installing energy efficient bulbs*

Diagnostic Tools

Testing the airtightness of a home using a special fan called a blower door can help to ensure that air sealing work is effective. Often, energy efficiency incentive programs, such as the DOE/ EPA ENERGY STAR Program, require a blower door test (usually performed in less than an hour) to confirm the tightness of the house.



Who is eligible for Weatherization?

The Weatherization Assistance Program is administered through North Carolina's Department of Environmental Quality. Twenty-seven agencies throughout the state deliver the services to eligible residents.

Families with incomes below 200% of the Federal Poverty Level would income qualify for services. In addition, households that have received benefits from SSI, CIP (Crisis Intervention Program), LIEAP or TANF within the 12 months prior to the date of application are automatically eligible, regardless of income.

Due to the demand for services, eligible applicants may be placed on a waiting list for services.

The Weatherization Assistance Program prioritizes eligible families, serving the elderly, people with disabilities and families with children first.

To determine an applicant's eligibility for these services, we need the following information:

- *Family income for past 12 months*
- *Electric usage for past 12 months*
- *Proof of home ownership*

We can help residents obtain this information and complete the application process.